

## **TANK** **SPECIFICATIONS**

### **CAPACITY:**

3050 GALLONS

### **DIMENSIONS:**

LENGTH = 175" AT TOP

169" AT BOTTOM

WIDTH = 84" AT TOP

OVERALL HEIGHT = 74.5"

DEPTH BELOW INLET = 62.5"

DEPTH BELOW OUTLET = 60.5"

### **INLET AND OUTLET**

### **BAFFLES:**

POLYETHELENE w/STAINLESS  
STEEL CONNECTORS

### **INLET BAFFLE:**

15" (8" ABOVE LIQUID LEVEL  
7" BELOW LIQUID LEVEL)

13%

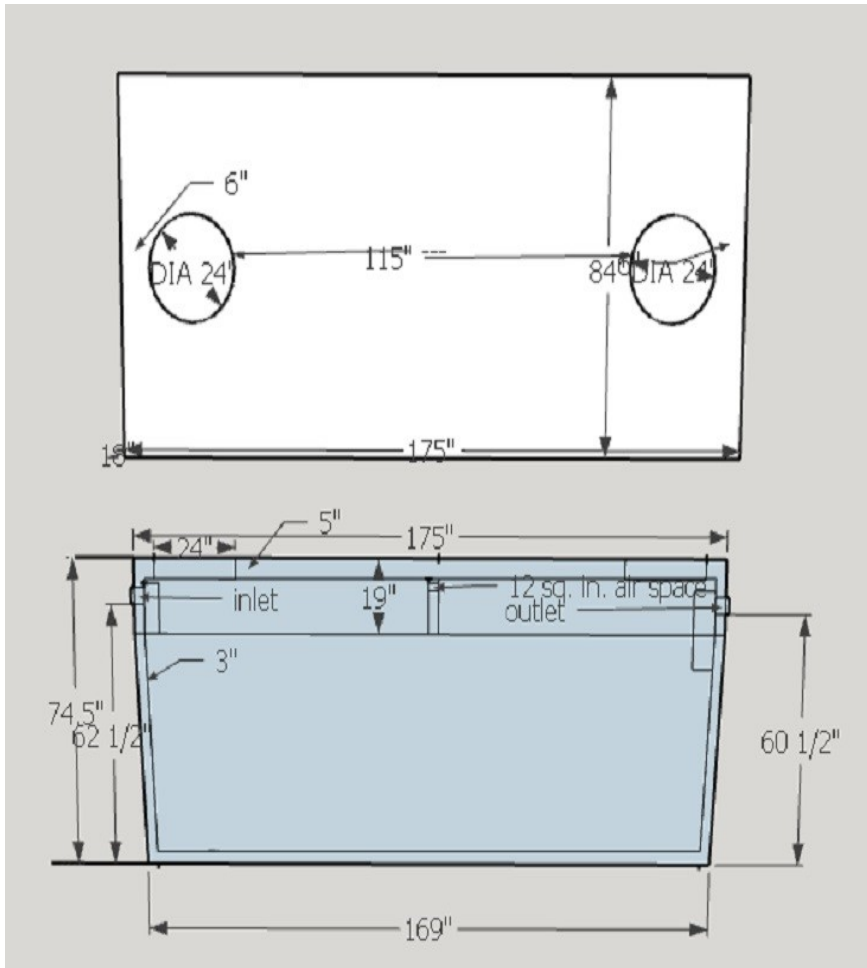
### **OUTLET BAFFLE:**

31" (8" ABOVE LIQUID LEVEL  
23" BELOW LIQUID LEVEL)

40%

### **LIQUID CAPACITY:**

53.04 GAL PER INCH



ALL ACCESS OPENINGS ARE 24" I.D.

ALL BAFFLES HAVE A MINIMUM 1" AIR SPACE BETWEEN COVER AND TOP OF BAFFLE

**REGISTERED IN MINNESOTA FOR SEVEN FEET OF COVER ON TOP OF THE TANK.**

**MODEL: D3000**

SEPTIC TANK/  
HOLDING TANK 3155 GAL.

**Precast**  
**Systems**  
**Inc.**

PO Box 56, Darwin MN 55324  
320-693-8440 888-693-8440