

## TANK SPECIFICATIONS

**CAPACITY:**

3050 GALLONS

**DIMENSIONS:**

LENGTH = 175" AT TOP

169" AT BOTTOM

WIDTH = 84" AT TOP

OVERALL HEIGHT = 74.5"

DEPTH BELOW INLET = 62.5"

DEPTH BELOW OUTLET = 60.5"

**INLET AND OUTLET**

**BAFFLES:**

POLYETHELENE w/STAINLESS  
STEEL CONNECTORS

**INLET BAFFLE:**

15" (8" ABOVE LIQUID LEVEL  
7" BELOW LIQUID LEVEL)

13%

**OUTLET BAFFLE:**

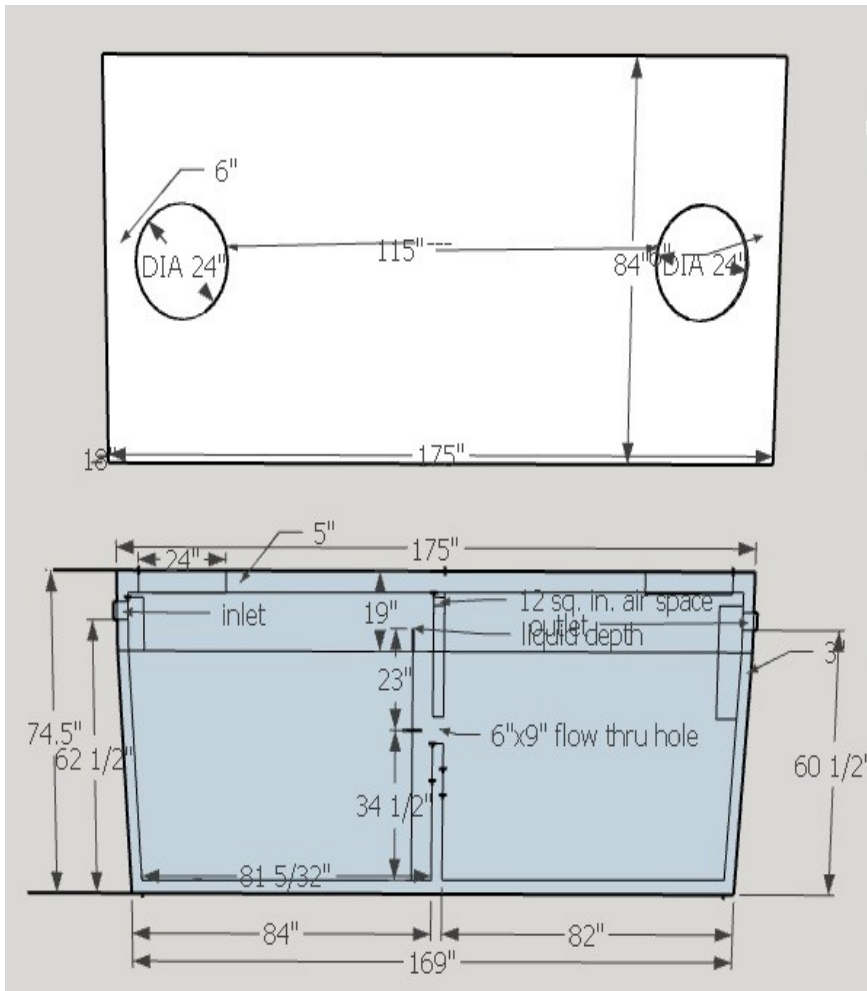
31" (8" ABOVE LIQUID LEVEL  
23" BELOW LIQUID LEVEL)

40%

**LIQUID CAPACITY:**

1550-26.96 GAL PER INCH

1500-26.09 GAL PER INCH



ALL ACCESS OPENINGS ARE 24" I.D.

ALL BAFFLES HAVE A MINIMUM 1" AIR SPACE BETWEEN COVER AND TOP OF BAFFLE

**REGISTERED IN MINNESOTA FOR SEVEN FEET OF COVER ON TOP OF THE TANK.**

**MODEL: D1550/1500**

SEPTIC TANK/  
HOLDING 1609/1545 GAL.

*Precast*  
*Systems*  
*Inc.*

PO Box 56, Darwin MN 55324

320-693-8440 888-693-8440